





Whirlpool® 30" Wide Top-Freezer Refrigerator with Flexi-Slide™ Bin

WRT318FZDW

Available Finishes/Colours

 WRT318FZDB
Black

 WRT318FZDW
White

 WRT318FZDM
Monochromatic Stainless Steel

Dimensions

Depth	33 1/2
Height	65 7/8
Width	29 3/4

AHAM Volumes And Shelf Area

Freezer Volume (Cu Ft)	5.09
Refrigerator Volume (Cu Ft)	13.06

Details

Cooling Type	Single Evaporator
Counter Depth	No
Door Style	Flat

Controls

Control Type	Electronic
Automatic Defrost	Yes
Control Location	Interior
Max Cool/Fast Cool	No

Exterior

Cabinet Color	White
---------------	-------

Exterior

Cabinet Finish	Smooth
Door Color	White
Door Finish	Smooth
Handle Material	Plastic
Door Opening	Right
Handle Color	White
Handle Type	Reach-Through Handle
Levelers	2 Black
Hidden Hinge	No
Wheels	4-Natural
Reversible Door	Yes

GDS

isBaseUnit	true
isConsumerUnit	true
IsDispatchUnit	.
IsInvoiceUnit	true
IsOrderableUnit	true
Product Type	EA

There's always a place for fresh and frozen favorites inside the 30" wide top-freezer refrigerator with 18 cu. ft. capacity. To give you more convenient storage options above the refrigerator crisper, the Flexi-Slide™ bin quickly moves side-to-side.

Frameless glass shelves give your food a little more elbow room for wall-to-wall storage, and electronic temperature controls let you choose the right temperature for your frozen favorites. Plus, you won't have to fill ice trays again inside the top-freezer refrigerator with the easy-to-install EZ Connect icemaker kit.

Top Features

Flexi-Slide™ Bin

Quiet Cooling

Frameless Glass Shelves

Manuals & Literature:



[Dimension Guide](#)



[Energy Guide](#)



[Installation Guide](#)



[Use and Care Guide](#)



[Warranty Information](#)



Top Mount Refrigerator

PRODUCT MODEL NUMBERS

WRT108FZD WRT318FMD
 WRT138FZD WRT519SZD
 WRT148FZD WRT549SZD
 WRT318FZD

Electrical: A 115-volt, 60-Hz, AC-only, 15- or 20-amp fused, grounded electrical supply is required. It is recommended that a separate circuit serving only your refrigerator be provided. Use an outlet that cannot be turned off by a switch. Do not use an extension cord.

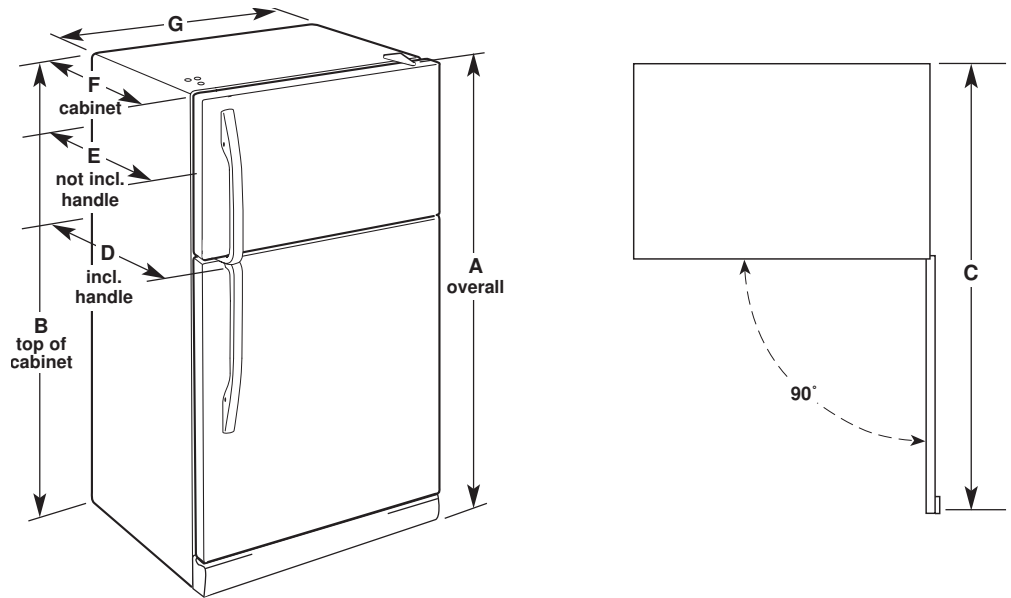
NOTE: Before performing any type of installation, cleaning, or removing a light bulb, turn the control (Thermostat, Refrigerator or Freezer Control depending on the model) to OFF and then disconnect the refrigerator from the electrical source. When you are finished, reconnect the refrigerator to the electrical source and reset the control (Thermostat, Refrigerator or Freezer Control depending on the model) to the desired setting. See "Using the Controls."

Water: A cold water supply with water pressure between 30 and 120 psi (207 and 827 kPa) is required to operate ice maker and water dispenser. If you have questions about your water pressure, call a licensed, qualified plumber.

IMPORTANT: The pressure of the water coming out of a reverse osmosis system going to the water inlet valve of the refrigerator needs to be between 30 and 120 psi (207 and 827 kPa).

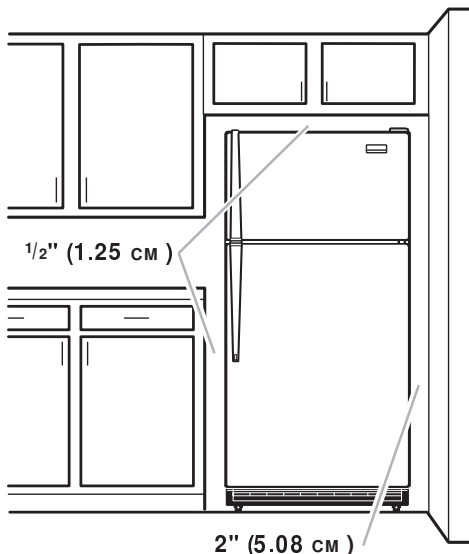
Reverse Osmosis Water Supply: If a reverse osmosis water filtration system is connected to your cold water supply, the water pressure to the reverse osmosis system needs to be a minimum of 40 to 60 psi (276 to 414 kPa).

PRODUCT DIMENSIONS



Model Number	Model Size	Reversible Door	Height - Overall "A"	Height - Top of Cabinet "B"	Depth - Door Open 90° "C"	Depth - With Handles "D"	Depth - Without Handles "E"	Depth - Cabinet Only "F"	Width - Cabinet "G"
WRT108FZD WRT138FZD WRT148FZD WRT318FZD WRT318FMD	18.2 cu. ft.	Yes	65 ⁷ / ₈ " (167.3 cm)	65 ³ / ₈ " (166 cm)	59 ³ / ₈ " (151.8 cm)	33 ¹ / ₈ " (85 cm)	31 ³ / ₈ " (79.7 cm)	28 ⁷ / ₈ " (73.3 cm)	29 ³ / ₈ " (75.6 cm)
WRT519SZD WRT549SZD	19.1 cu. ft.	Yes	65 ⁷ / ₈ " (167.3 cm)	65 ³ / ₈ " (166 cm)	59 ⁷ / ₈ " (152 cm)	34 ¹ / ₈ " (87.6 cm)	32 ⁷ / ₈ " (83.5 cm)	28 ⁷ / ₈ " (73.3 cm)	29 ³ / ₈ " (75.6 cm)

LOCATION REQUIREMENTS



To ensure proper ventilation for your refrigerator, allow for a 1/2" (1.25 cm) space on each and between overhead cabinets and refrigerator top. Allow at least 1" (2.5 cm) between back of cabinet and the wall. If your refrigerator has an ice maker, make sure you leave some extra space at the back for the water line connections.

If you are installing your refrigerator next to a fixed wall, leave 2" (5 cm) minimum on the hinge side (depending on your model) to allow for the door to swing open.

NOTE: This refrigerator is intended for use in a location where the temperature ranges from a minimum of 55°F (13°C) to a maximum of 110°F (43°C). The preferred room temperature range for optimum performance, which reduces electricity usage and provides superior cooling, is between 60°F (15°C) and 90°F (32°C). It is recommended that you do not install the refrigerator near a heat source, such as an oven or radiator.